

PRODUCT PREVIEW

ADSL2+ LINE DRIVER SOLUTION

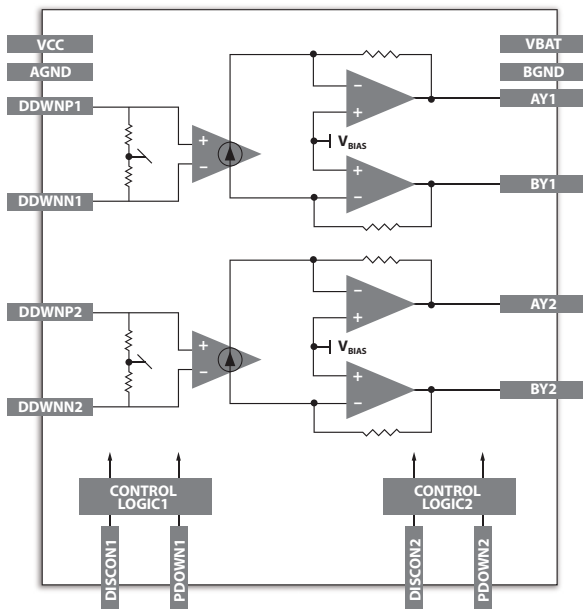
ZARLINK'S BD870 SERIES IS A COST EFFECTIVE SOLUTION THAT OPERATES DIRECTLY FROM THE TELECOM BATTERY, NOT ONLY SAVING SYSTEM COST AND DENSITY, BUT ALSO SYSTEM POWER BY ELIMINATING THE INEFFICIENT DC TO DC CONVERTER.

The BD870 Series device is built on the Legerity voice solution's high voltage process that allows for direct operation from a standard telecom, negative battery supply (and a 3.3 V supply). In contrast, today's typical line cards supply the power to the line drivers locally, via DC-to-DC converter modules. The elimination of these additional modules translates into cost and power savings at the system level.

Operation from a centralized source of power makes the BD870 Series a unique, less costly, more efficient solution for xDSL line driver applications.



Not actual size



BatteryDirect™ Architecture

Zarlink's ground breaking BatteryDirect™ system architecture eliminates the need for bulky DC-to-DC converters that decrease system power efficiency, increase system cost, and require additional components and board space. Our line driver is built on a proprietary high voltage, high bandwidth, dielectrically isolated process that integrates line protection diodes and feedback components, and enables direct operation from the -48 V backplane battery supply, making the Legerity BatteryDirect line driver the most cost-effective total solution in the industry.

Features

- ➔ Two-channel differential line driver
- ➔ Low power
- ➔ Operates directly from the typical telecom power supply without a DC-DC converter
- ➔ Integrated lightning and surge protection
- ➔ Minimum external component count
- ➔ Internal gain setting resistors
- ➔ Capable to drive 20 dBm in to 100 Ohm load
- ➔ Thermal shutdown
- ➔ Small footprint

Benefits

- ➔ Saves board density
- ➔ Low power dissipation
- ➔ Lowers cost and board density
- ➔ More robust solution with lower cost
- ➔ Lowest BOM cost in the industry
- ➔ Saves cost and system complexity, easier layout
- ➔ Fully ADSL2+ capable
- ➔ Protection at board level
- ➔ Saves board density for large line card applications

Applications

- ➔ Asymmetrical Digital Subscriber Loop (ADSL, ADSL+, ADSL2, ADSL2+) Line Drivers
- ➔ G.lite Line Drivers
- ➔ HDSL, HDSL2, HDSL4, SHDSL Line Drivers
- ➔ DSLAM, CO, DLC, BLC, MDU/MTU Line Drivers



Information relating to products and services furnished herein by Zarlink Semiconductor Inc. or its subsidiaries is believed to be reliable. The products, their specifications, services and other information appearing in this publication are subject to change by Zarlink without notice.

ZARLINK, ZL, and the Zarlink logo are trademarks of Zarlink Semiconductor Inc.

© 2008, Zarlink Semiconductor Inc. All Rights Reserved. PN #081327-C1

